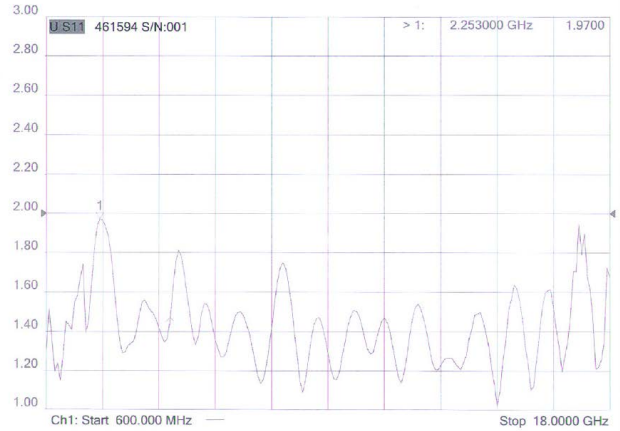
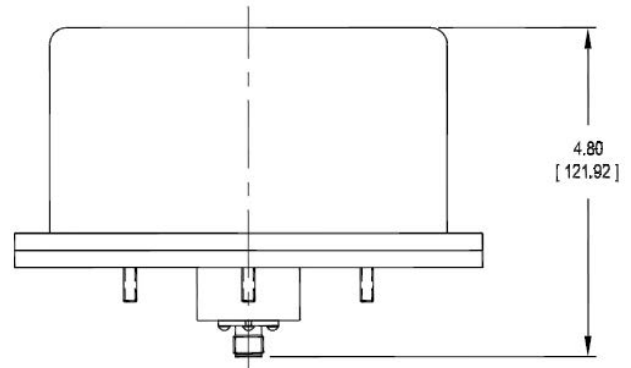
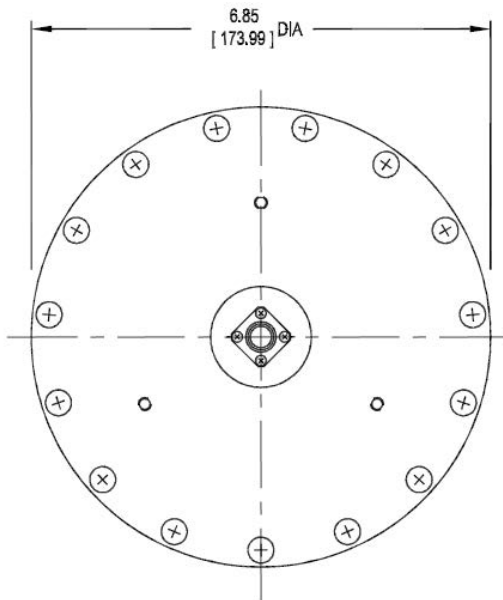


Model A2200 Cavity Backed Spiral Antenna

Model A2200 is an extremely broadband planar spiral. The radiating element is an Archimedean element that has been optimized for center of the operating frequency band. The unit is sealed with a thermoformed radome and an o-ring. The polarization is either left hand or right hand circular polarization. The unit employs three threaded studs for easy mounting. Typical applications are reflector feeds. The unit is rugged and employed in airborne applications.



Typical VSWR



Model A2200 Cavity Backed Spiral Antenna

- KEY FEATURES:**
- Broad Bandwidth
 - Airborne Application
 - Archimedean Element
 - Sealed Construction

- FREQUENCY RANGE:**
- 0.6 to 18 GHz

- VSWR:**
- 2.0 : 1 nominal
 - 2.3 : 1 max.

- GAIN:**
- -9.5 dBiL 600 MHz
 - -1 dBiL 1 GHz
 - 2 dBiL 4 GHz
 - -3 dBiL 18 GHz

- 3 dB BEAMWIDTH:**
- 80°

- POLARIATION:**
- RHCP P/N : 03-101180-01
 - LHCP P/N : 03-101180-03

- AXIAL RATIO:**
- 2 dB max

- RF POWER:**
- 2 Watts CW

- WEIGHT:**
- 25 oz.

- INPUT:**
- SMA female

- ENVIRONMENTAL SPECIFICATIONS:**
- AMIL-HDBK-5400

