

SCD8636-24

Balancing For 12-Cell Battery Cell Voltage Monitoring and Telemetry Reconditioning Load Control Cell Bypass Relay Drivers

BEU8636-24

Description

The CAES 8636-24 is a Lithium-Ion cell balancing system. It controls the balancing of one battery consisting of a series stack of Lithium-Ion cells to ensure that each cell is precisely charged to its proper level of energy and to monitor each cell's operational voltage.

The cell balancing circuitry uses a set of bilateral DC-DC converters which tie each cell of a battery to a common share bus. Cell charge is distributed among the multiple cells so that the charge of each cell is automatically matched to the average charge of the other cells.

Features

- Cell Balancing to within $\pm 5.0\text{mV}$
- Cell Voltage Monitoring Accuracy $\pm 10.0\text{mV}$ ($\pm 20.0\text{mV}$ Space Mission Life)
- Total Battery Voltage Monitoring Accuracy $\pm 0.3\%$ of Full Scale
- Supports 24 Lithium-Ion battery cells in series.
- Battery Drain Current at Balance 15mA maximum
- Discrete output lines for critical signaling with user definable thresholds:
 - Overvoltage Protection 4.40V typ
 - Cell Voltage High 4.20V typ
 - Cell Voltage Low 3.20V typ
- MIL-STD-1553B telemetry for data logging and monitoring



Safety

The safety of Lithium-Ion battery technology requires that extreme care be taken in the provisions made for cell charging and cell monitoring.

Precision measurements of each of the individual cell voltages in the battery stack and precise charge balancing to each individual cell are critical.

SCD8636-24

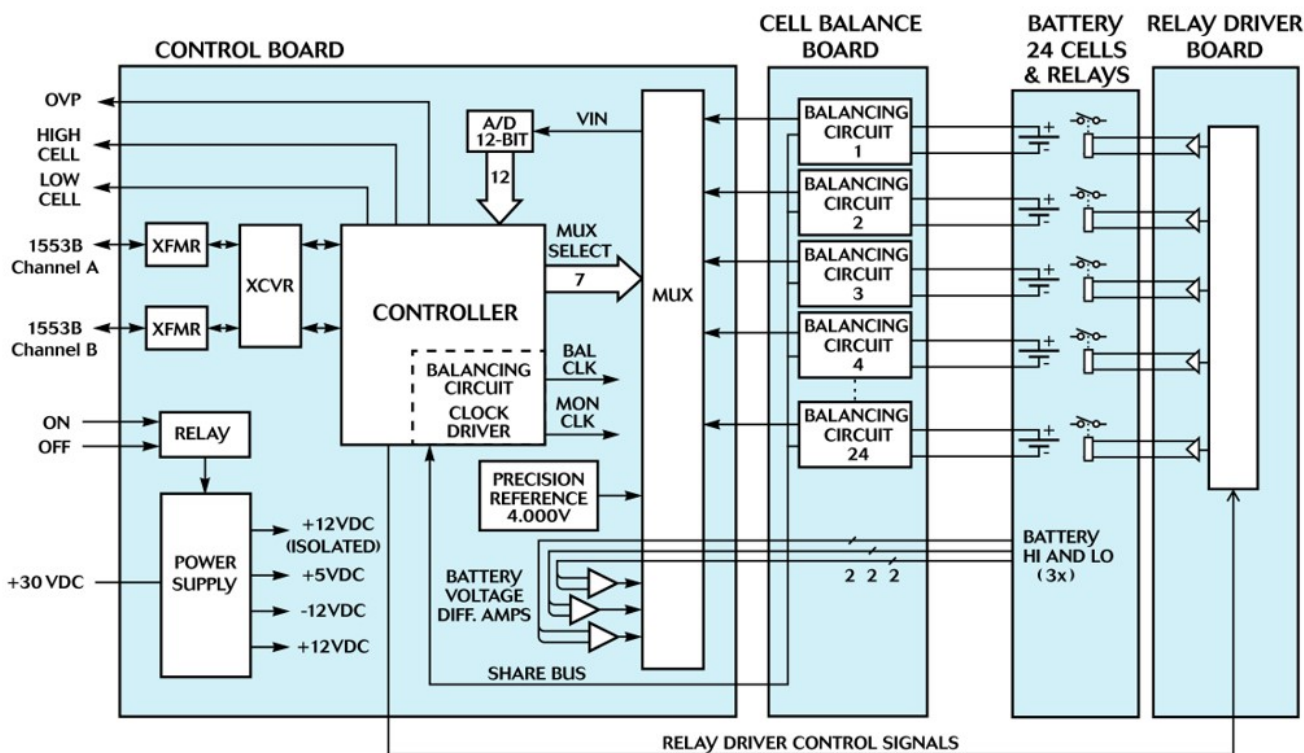
Balancing For 12-Cell Battery Cell Voltage Monitoring and Telemetry Reconditioning Load Control Cell Bypass Relay Drivers

BEU8636-24

The CAES 8636-24 provides the necessary precision of control and monitoring to ensure that safety.

Discrete logic outputs are provided for critical signaling, enabling the user to initiate load shedding and/or to halt charging.

Low operating losses enable continuous operation. Continuous balancing provides maximum protection against any one cell becoming overcharged.



Block Diagram

8636-24 Operating Details

Battery Cell Balancing

Provides 24 individual continuous balancing circuits.

Maximum Cell Balancing Current Limit

Each cell is provided with a 1 Amp fuse for overload interrupt in the event of a shorted cell to protect the remaining cell balance functionality.

Cell Balancing Accuracy

When connected to a battery, the 8636-24 provides balancing currents into each of the battery's cells. The directions and the magnitudes of the individual currents are proportional to the deviations of the cell voltages from the average cell voltage. The transfer ratio of voltage to current is 1.0 Ohm nominal and is satisfied for cell voltages of up to 4.2V.

SCD8636-24

Balancing For 12-Cell Battery Cell Voltage Monitoring and
Telemetry Reconditioning Load Control Cell Bypass Relay Drivers

BEU8636-24

Battery Cell Current Drawn in Off State

In the off state, the differential mode battery cell current drawn by each cell balancing circuit is less than 50 μ A.

Battery Cell Voltage Monitoring

Measures cell voltages for up to 24-cells.

4V and 0V References for Calibration

Provides 4V and 0V references for cell voltage telemetry calibration.

Battery and Cell Protection

Incorporates overvoltage protection (OVP) circuits. These circuits monitor all of the battery cell voltages and only register the highest of all cell voltages monitored. When a cell voltage threshold of 4.40V is reached, the protection circuit output changes state and latches within 50mS.

Cell Relay Bypass

Incorporates one bypass relay for each cell to remove a malfunctioned cell from causing interference with the operation of the remaining cells.

Reconditioning Load Switching

Discretionary load switching is provided for reconditioning (RECON).

Battery Cell Overvoltage Latch Output

The status of the OVP latch is provided by telemetry as specified in Tables II, III & IV and also as a discrete output.

Recovery from Cell Overvoltage Indication

The OVP latch is reset by a 1553B reset command or by recycling the input power.

Highest Battery Cell Voltage Telemetry

Provides highest battery cell voltage telemetry as specified in Tables I & IV.

Lowest Battery Cell Voltage Telemetry

Provides lowest battery cell voltage telemetry as specified in Tables I & IV.

Test Points

Provides test points for total battery voltage, low cell indicator and high cell indicator. Access to the total battery voltage is provided to permit pre-charging before connection to the battery.

SCD8636-24

Balancing For 12-Cell Battery Cell Voltage Monitoring and
Telemetry Reconditioning Load Control Cell Bypass Relay Drivers

BEU8636-24

MIL-STD-1553B Telemetry & Commands

Analog or bi-level telemetry can be requested from the controller and reported over the dual redundant 1553B interface with the RT addresses configurable at the J1 connector.

Analog Telemetry

Each analog telemetry item can be requested individually on sub-addresses 18, 19 or 22.

First a 1553B receive command with one data word as defined in Table I, which specifies the telemetry item being requested, must be issued. After a minimum delay of 1.2ms, the data can be retrieved by sending a 1553B transmit command for one data word on the same sub-address on which the request was initiated.

The 12-bit data reply is left justified in the 16-bit 1553B data word with the four LSBs set to "0".

SCD8636-24

Balancing For 12-Cell Battery Cell Voltage Monitoring and
Telemetry Reconditioning Load Control Cell Bypass Relay Drivers

BEU8636-24

Table I – Analog Telemetry

Item	Telemetry Title	Telemetry Reply Scale	1 st Data Word of 1553B Receive Command (Hex)
1	4V Reference	-0.40V to 4.89V	0800
2	0V Reference	-0.40V to 4.89V	0803
3	Total Battery Voltage 1	0V to 122.88V	0805
4	Total Battery Voltage 2	0V to 122.88V	0806
5	Total Battery Voltage 3	0V to 122.88V	0809
6	Share Bus Voltage	0V to 5.12V	080A
7	Bypass Device Driver Power	0V to 51.2V	080C
8	Cell 1 Voltage	0V to 5.12V	0811
9	Cell 2 Voltage	0V to 5.12V	0812
10	Cell 3 Voltage	0V to 5.12V	0814
11	Cell 4 Voltage	0V to 5.12V	0817
12	Cell 5 Voltage	0V to 5.12V	0818
13	Cell 6 Voltage	0V to 5.12V	081B
14	Cell 7 Voltage	0V to 5.12V	081D
15	Cell 8 Voltage	0V to 5.12V	081E
16	Cell 9 Voltage	0V to 5.12V	0821
17	Cell 10 Voltage	0V to 5.12V	0822
18	Cell 11 Voltage	0V to 5.12V	0824
19	Cell 12 Voltage	0V to 5.12V	0827
20	Cell 13 Voltage	0V to 5.12V	0828
21	Cell 14 Voltage	0V to 5.12V	082B
22	Cell 15 Voltage	0V to 5.12V	082D
23	Cell 16 Voltage	0V to 5.12V	082E
24	Cell 17 Voltage	0V to 5.12V	0830
25	Cell 18 Voltage	0V to 5.12V	0833
26	Cell 19 Voltage	0V to 5.12V	0835
27	Cell 20 Voltage	0V to 5.12V	0836
28	Cell 21 Voltage	0V to 5.12V	0839
29	Cell 22 Voltage	0V to 5.12V	083A
30	Cell 23 Voltage	0V to 5.12V	083C
31	Cell 24 Voltage	0V to 5.12V	083F
32	Lowest Cell Voltage	0V to 5.12V	0871
33	Highest Cell Voltage	0V to 5.12V	0872

SCD8636-24

Balancing For 12-Cell Battery Cell Voltage Monitoring and
Telemetry Reconditioning Load Control Cell Bypass Relay Drivers

BEU8636-24

Bi-Level Telemetry

Bi-level telemetry can be requested on sub-addresses 18, 19 or 22.

First a 1553B receive command with one data word as defined in Table II, which specifies the telemetry item being requested, must be issued. After a minimum delay of 1.2ms, the data can be retrieved by sending a 1553B transmit command for one data word on the same sub-address on which the request was initiated.

Table II – Bi-level Telemetry

Item	Telemetry Title	Status	Reply Bit	1st Data Word of 1553B Receive Command (Hex)
1	RECON Switch Status	1 = Closed	D15	0C80
2	Discharge Inhibit Status	1 = Inhibit	D14	0C80
3	Overvoltage Latch Status	1 = Set	D13	0C80
4	Bypass Dev. 1 Arm Status	1 = Armed	D15	0C83
5	Bypass Dev. 2 Arm Status	1 = Armed	D14	0C83
6	Bypass Dev. 3 Arm Status	1 = Armed	D13	0C83
7	Bypass Dev. 4 Arm Status	1 = Armed	D12	0C83
8	Bypass Dev. 5 Arm Status	1 = Armed	D11	0C83
9	Bypass Dev. 6 Arm Status	1 = Armed	D10	0C83
10	Bypass Dev. 7 Arm Status	1 = Armed	D9	0C83
11	Bypass Dev. 8 Arm Status	1 = Armed	D8	0C83
12	Bypass Dev. 9 Arm Status	1 = Armed	D15	0C85
13	Bypass Dev. 10 Arm Status	1 = Armed	D14	0C85
14	Bypass Dev. 11 Arm Status	1 = Armed	D13	0C85
15	Bypass Dev. 12 Arm Status	1 = Armed	D12	0C85
16	Bypass Dev. 13 Arm Status	1 = Armed	D11	0C85
17	Bypass Dev. 14 Arm Status	1 = Armed	D10	0C85
18	Bypass Dev. 15 Arm Status	1 = Armed	D9	0C85
19	Bypass Dev. 16 Arm Status	1 = Armed	D8	0C85
20	Bypass Dev. 17 Arm Status	1 = Armed	D15	0C86
21	Bypass Dev. 18 Arm Status	1 = Armed	D14	0C86
22	Bypass Dev. 19 Arm Status	1 = Armed	D13	0C86
23	Bypass Dev. 20 Arm Status	1 = Armed	D12	0C86
24	Bypass Dev. 21 Arm Status	1 = Armed	D11	0C86
25	Bypass Dev. 22 Arm Status	1 = Armed	D10	0C86
26	Bypass Dev. 23 Arm Status	1 = Armed	D9	0C86
27	Bypass Dev. 24 Arm Status	1 = Armed	D8	0C86

SCD8636-24

Balancing For 12-Cell Battery Cell Voltage Monitoring and
Telemetry Reconditioning Load Control Cell Bypass Relay Drivers

BEU8636-24

32-Word Telemetry

To reduce data bus bandwidth usage, the 8636-24 supports a 32-word telemetry request on sub-address 20 as defined in Table III. First a 1553B receive command with one data word of AAAA(Hex) must be issued. After a minimum delay of 1.2ms, the data can be retrieved by sending a 1553B transmit command for 32 data words on sub-address 20. Reply word 31 is a modulo-16 message count. This counter increments by one for each valid telemetry request. The 12-bit analog data reply is left justified in the 16-bit 1553B data word with the four LSBs set to "0".

Table III – 32-Word Telemetry

Item	Telemetry Title	Telemetry Type	Reply Word	Reply Bits
1	4V Reference	Analog	1	D(15:4)
2	Total Battery Voltage 1	Analog	2	D(15:4)
3	Total Battery Voltage 2	Analog	3	D(15:4)
4	Total Battery Voltage 3	Analog	4	D(15:4)
5	Share Bus Voltage	Analog	5	D(15:4)
6	Master Bypass Power Status	Analog	6	D(15:4)
7	Cell 1 Voltage	Analog	7	D(15:4)
8	Cell 2 Voltage	Analog	8	D(15:4)
9	Cell 3 Voltage	Analog	9	D(15:4)
10	Cell 4 Voltage	Analog	10	D(15:4)
11	Cell 5 Voltage	Analog	11	D(15:4)
12	Cell 6 Voltage	Analog	12	D(15:4)
13	Cell 7 Voltage	Analog	13	D(15:4)
14	Cell 8 Voltage	Analog	14	D(15:4)
15	Cell 9 Voltage	Analog	15	D(15:4)
16	Cell 10 Voltage	Analog	16	D(15:4)
17	Cell 11 Voltage	Analog	17	D(15:4)
18	Cell 12 Voltage	Analog	18	D(15:4)
19	Cell 13 Voltage	Analog	19	D(15:4)
20	Cell 14 Voltage	Analog	20	D(15:4)
21	Cell 15 Voltage	Analog	21	D(15:4)
22	Cell 16 Voltage	Analog	22	D(15:4)
23	Cell 17 Voltage	Analog	23	D(15:4)
24	Cell 18 Voltage	Analog	24	D(15:4)
25	Cell 19 Voltage	Analog	25	D(15:4)
26	Cell 20 Voltage	Analog	26	D(15:4)
27	Cell 21 Voltage	Analog	27	D(15:4)
28	Cell 22 Voltage	Analog	28	D(15:4)
29	Cell 23 Voltage	Analog	29	D(15:4)
30	Cell 24 Voltage	Analog	30	D(15:4)
31	Message Count	Analog	31	D(15:0)
32	RECON Switch Status	Bi-level	32	D15
33	Discharge Inhibit Status	Bi-level	32	D14
34	Overvoltage Latch Status	Bi-level	32	D13

SCD8636-24

Balancing For 12-Cell Battery Cell Voltage Monitoring and
Telemetry Reconditioning Load Control Cell Bypass Relay Drivers

BEU8636-24

8-Word Telemetry

To reduce data bus bandwidth usage, the 8636-24 supports an 8-word telemetry request on sub-address 24 as defined in Table IV.

First a 1553B receive command with one data word of 5555(Hex) must be issued. After a minimum delay of 1.2ms, the data can be retrieved by sending a 1553B transmit command for 8 data words on sub-address 24.

Reply word 8 is a modulo-16 message count. This counter increments by one for each valid telemetry request. The 12-bit analog data reply is left justified in the 16-bit 1553B data word with the four LSBs set to "0".

Table IV – 8-Word Telemetry

Item	Telemetry Title	Telemetry Type	Reply Word	Reply Bits
1	RECON Switch Status	Bi-level	1	D15
2	Discharge Inhibit Status	Bi-level	1	D14
3	Overvoltage Latch Status	Bi-level	1	D13
4	Bypass Dev. 1 Arm Status	Bi-level	2	D15
5	Bypass Dev. 2 Arm Status	Bi-level	2	D14
6	Bypass Dev. 3 Arm Status	Bi-level	2	D13
7	Bypass Dev. 4 Arm Status	Bi-level	2	D12
8	Bypass Dev. 5 Arm Status	Bi-level	2	D11
9	Bypass Dev. 6 Arm Status	Bi-level	2	D10
10	Bypass Dev. 7 Arm Status	Bi-level	2	D9
11	Bypass Dev. 8 Arm Status	Bi-level	2	D8
12	Bypass Dev. 9 Arm Status	Bi-level	3	D15
13	Bypass Dev. 10 Arm Status	Bi-level	3	D14
14	Bypass Dev. 11 Arm Status	Bi-level	3	D13
15	Bypass Dev. 12 Arm Status	Bi-level	3	D12
16	Bypass Dev. 13 Arm Status	Bi-level	3	D11
17	Bypass Dev. 14 Arm Status	Bi-level	3	D10
18	Bypass Dev. 15 Arm Status	Bi-level	3	D9
19	Bypass Dev. 16 Arm Status	Bi-level	3	D8
20	Bypass Dev. 17 Arm Status	Bi-level	4	D15
21	Bypass Dev. 18 Arm Status	Bi-level	4	D14
22	Bypass Dev. 19 Arm Status	Bi-level	4	D13
23	Bypass Dev. 20 Arm Status	Bi-level	4	D12
24	Bypass Dev. 21 Arm Status	Bi-level	4	D11
25	Bypass Dev. 22 Arm Status	Bi-level	4	D10
26	Bypass Dev. 23 Arm Status	Bi-level	4	D9
27	Bypass Dev. 24 Arm Status	Bi-level	4	D8
28	0V Reference	Analog	5	D(15:4)
29	Lowest Cell Voltage	Analog	6	D(15:4)
30	Highest Cell Voltage	Analog	7	D(15:4)
31	Message Count	Analog	8	D(15:0)

SCD8636-24

Balancing For 12-Cell Battery Cell Voltage Monitoring and
Telemetry Reconditioning Load Control Cell Bypass Relay Drivers

BEU8636-24

Additional Commands

Data Load Command

1553B receive commands consist of 2 data words to the sub-address specified in Table V. Only the first data word is used.

Table V – Commands

Item	Function Title	Sub-Address	1 st Data Word of 1553B Receive Command (Hex)
1	Recon SW1 & 2 disconnect	13	0200
2	Recon SW1 connect	13	0080
3	Recon SW2 connect	13	0100
4	Bypass commands (multiple)	14	as req'd
5	Reset OVP Latch	15	0400

Telemetry Frame Sync Command

1553B broadcast command on sub-address 17 (any data word) commands the 8636-24 to refresh its RT address.

Remote Terminal State Command

1553B transmit command on sub-address 21 for one data word. The reply word will be 4000(Hex), to indicate that the unit is ready to accept another command or 5000(Hex), to indicate that the unit is busy and cannot accept another command.

1553B Data Wrap Around

Sub-address 30 is dedicated to data wrap around as specified in MIL-STD-1553B.

Supported Mode Codes

The 8636-24 supports the 1553B Mode Codes in Table VI.

Table VI – 1553B Mode Codes

Mode Code Name	Mode Code Number
Transmit Status Word	2
Transmitter Shutdown	4
Override Transmitter Shutdown	5
Reset Remote Terminal	8

1553B Status Flag Bits

The 8636-24 supports the following 1553B status flag bits:

- 1) Message Error bit
- 2) Broadcast Message Received bit

All other status bits are set to "0".

SCD8636-24

Balancing For 12-Cell Battery Cell Voltage Monitoring and Telemetry Reconditioning Load Control Cell Bypass Relay Drivers

BEU8636-24

Connector P1 26 Pin Subminiature-D Plug Cell Sense

Pin #	Function Name	Pin #	Function Name
23	CELL_12+	17	CELL_24+
9	CELL_11+	7	CELL_23+
3	CELL_10+	14	CELL_22+
19	CELL_9+	1	CELL_21+
10	CELL_8+	20	CELL_20+
13	CELL_7+	12	CELL_19+
16	CELL_6+	18	CELL_18+
26	CELL_5+	8	CELL_17+
5	CELL_4+	4	CELL_16+
2	CELL_3+	21	CELL_15+
15	CELL_2+	22	CELL_14+
24	CELL_1+	6	CELL_13+
11	CELL_1-	25	CELL_13-

Connector J2 for Control Board Triaxial 1553B Bus A

CHA_DATA_H
CHA_DATA_L
SHIELD

Connector J3 for Control Board Triaxial 1553B Bus B

CHB_DATA_H
CHB_DATA_L
SHIELD

SCD8636-24

Balancing For 12-Cell Battery Cell Voltage Monitoring and
Telemetry Reconditioning Load Control Cell Bypass Relay Drivers

BEU8636-24

Connector J1 for Control Board 51 Pin Micro-D Receptacle Control & Test Points

Pin #	Function	Pin #	Function	Pin #	Function
1	30V_RTN	18	V_BAT_3	35	V_BAT_2
2	NC_ISOLATION	19	NC_ISOLATION	36	NC_ISOLATION
3	NC_ISOLATION	20	+30V_POWER	37	NC_ISOLATION
4	NC_ISOLATION	21	+30V_POWER	38	NC_ISOLATION
5	30V_RTN	22	NC_ISOLATION	39	SPARE
6	NC_ISOLATION	23	NC_ISOLATION	40	CHASSIS_GND
7	CHASSIS_GND	24	CHASSIS_GND	41	CELL_CHG_24
8	CELL_CHG_12	25	LOW_CELL	42	SPARE
9	SPARE	26	DISCHARGE_INH	43	BEU_ON_CMD_1
10	BEU_OFF_CMD_2	27	BAL_ON_1	44	BEU_ON_CMD_2
11	BEU_OFF_CMD_1	28	BAL_ON_2	45	HIGH_CELL
12	RTA_2	29	RTA_0	46	RTA_4
13	RTA_GND	30	RTA_GND	47	RTA_GND
14	RTA_GND	31	RTA_GND	48	RTA_GND
15	RTA_1	32	RTA_3	49	RTPTY
16	OV_PROT	33	V_BAT_TP	50	V_BAT_RTN1
17	V_BAT_RTN3	34	V_BAT_RTN2	51	V_BAT_1

SCD8636-24

Balancing For 12-Cell Battery Cell Voltage Monitoring and
Telemetry Reconditioning Load Control Cell Bypass Relay Drivers

BEU8636-24

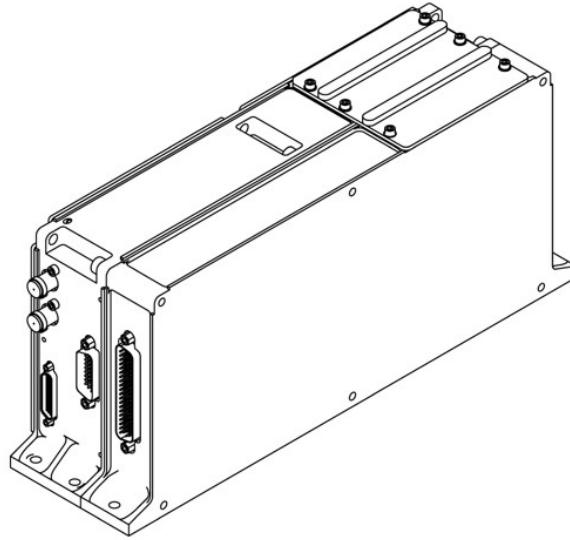
**Connector P2 78 Pin Subminiature-D Plug
Bypass Relay Driver**

Pin #	Function	Pin #	Function	Pin #	Function
1	KDH1	27	RECON_LOAD_RTN	53	KDL6
2	KDH5	28	RESERVED	54	KDL13
3	KDH9	29	NC_ISOLATION	55	KDL10
4	NC_ISOLATION	30	KDL23	56	ISO_1MEG
5	30V_RTN	31	KDL2	57	KDH16
6	NC_ISOLATION	32	KDL22	58	KDH20
7	CHASSIS GND	33	KDL9	59	KDH24
8	CELL_CHG_12	34	KDL19	60	KDH4
9	SPARE	35	KDL4	61	KDH8
10	KDL1	36	ISO_1MEG	62	KDH12
11	KDL8	37	KDH13	63	RELAY_CURRENT_MON
12	KDL17	38	KDH17	64	ISO_1MEG
13	KDL3	39	KDH21	65	ISO_1MEG
14	KDL16	40	KDH2	66	ISO_1MEG
15	KDL11	41	KDH6	67	RECON_LOAD_RTN
16	KDL20	42	KDH10	68	RESERVED
17	ISO_1MEG	43	RECON_LOAD	69	ISO_1MEG
18	KDH15	44	RECON_LOAD	70	KDL24
19	KDH19	45	RESERVED	71	KDL14
20	KDH23	46	RESERVED	72	KDL21
21	KDH3	47	RECON_LOAD_RTN	73	KDL12
22	KDH7	48	RESERVED	74	KDL5
23	KDH11	49	ISO_1MEG	75	ISO_1MEG
24	ISO_1MEG	50	KDL18	76	KDH14
25	RECON_LOAD	51	KDL7	77	KDH18
26	RESERVED	52	KDL15	78	KDH22

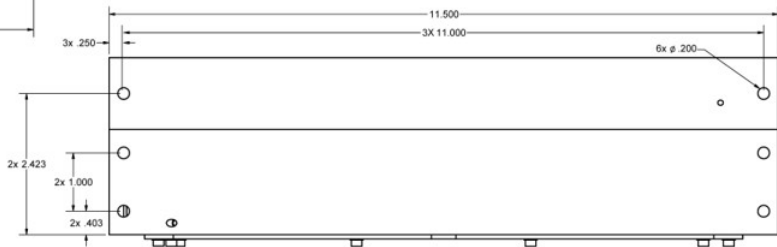
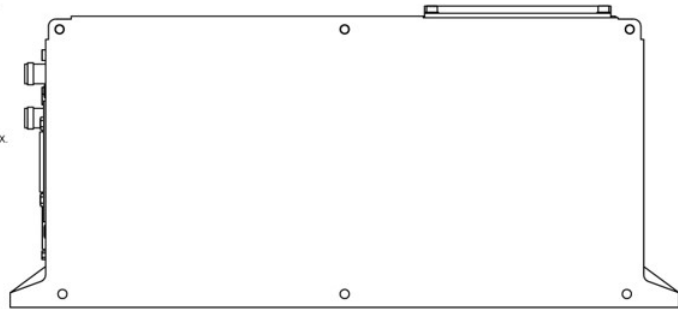
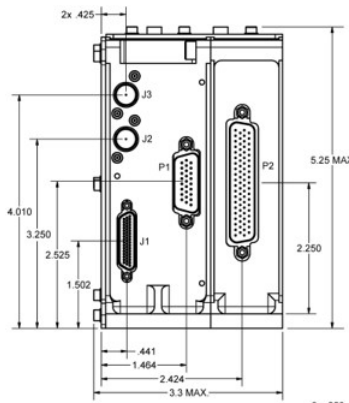
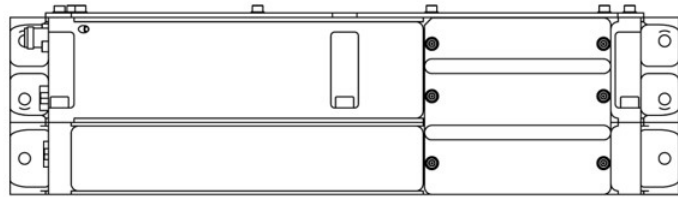
SCD8636-24

Balancing For 12-Cell Battery Cell Voltage Monitoring and Telemetry Reconditioning Load Control Cell Bypass Relay Drivers

BEU8636-24



3D View



Outline

Note: Unless Otherwise Specified Dimensions are in inches. Tolerance: .XXX ±.010 .XX = .03

SCD8636-24

Balancing For 12-Cell Battery Cell Voltage Monitoring and
Telemetry Reconditioning Load Control Cell Bypass Relay Drivers

BEU8636-24

Standard Configuration

Power Dissipation

9.5 Watts from 30V Supply
1.5 Watts from battery

Operating Base Plate Temperature

BEU8636-24-S -34°C to +71°C
BEU8636-24 0°C to +70°C

Storage Temperature

-34°C to +71°C

Dimensions

11.5" L x 3.30" W x 5.25" H

Weight

5.3 lbs (2.4 kg)

Ordering Information

Model Number	Screening
BEU8636-24-S	High Reliability Space Grade
BEU8636-24	Commercial Flow

Revision History

Date	Rev. #	Change Description	Initials
02/18/2021	C	REVISED PER ECN 23533	CL

SCD8636-24

Balancing For 12-Cell Battery Cell Voltage Monitoring and
Telemetry Reconditioning Load Control Cell Bypass Relay Drivers

BEU8636-24

Datasheet Definitions

	DEFINITION
Advanced Datasheet	CAES reserves the right to make changes to any products and services described herein at any time without notice. The product is still in the development stage and the datasheet is subject to change . Specifications can be TBD and the part package and pinout are not final .
Preliminary Datasheet	CAES reserves the right to make changes to any products and services described herein at any time without notice. The product is in the characterization stage and prototypes are available.
Datasheet	Product is in production and any changes to the product and services described herein will follow a formal customer notification process for form, fit or function changes.

The following United States (U.S.) Department of Commerce statement shall be applicable if these commodities, technology, or software are exported from the U.S.: These commodities, technology, or software were exported from the United States in accordance with the Export Administration Regulations. Diversion contrary to U.S. law is prohibited.

Cobham Long Island Inc. d/b/a CAES reserves the right to make changes to any products and services described herein at any time without notice. Consult an authorized sales representative to verify that the information in this data sheet is current before using this product. The company does not assume any responsibility or liability arising out of the application or use of any product or service described herein, except as expressly agreed to in writing; nor does the purchase, lease, or use of a product or service convey a license under any patent rights, copyrights, trademark rights, or any other of the intellectual rights of the company or of third parties.