

SCD5902

Quad Operational Amplifier, High Speed with Enables

RHD5902

Features

- Single power supply operation (3.3V or 5.0V) or dual power supply operation (± 1.65 to $\pm 2.5V$)
- Radiation performance
 - Total dose: $> 1 \text{ Mrad(Si)}$; Dose rate = 50-300 rad(Si)/s
 - ELDRS Immune
 - SEL Immune $> 100 \text{ MeV-cm}^2/\text{mg}$
 - Neutron Displacement Damage $> 10^{14} \text{ neutrons/cm}^2$
- Unity Gain Bandwidth 35 MHz Typical
- Rail-to-Rail input and output range
- Enable pin to Enable/Disable amplifiers in pairs.
- Short Circuit Tolerant
- Full military temperature range
- Designed for aerospace and high reliability space applications
- Packaging – Hermetic ceramic SOIC
 - 16-pin, .417"L x .300"W x .120"Ht
 - Weight - 0.8 grams max
- **Radiation Hardness Assurance Plan: DLA Certified to MIL-PRF-38534, Appendix G.**

General Description

The RHD5902 is a radiation hardened, single supply, high speed quad operational amplifier with enable in a 16-pin SOIC package. The RHD5902 design uses specific circuit topology and layout methods to mitigate total ionizing dose effects and single event latchup. These characteristics make the RHD5902 especially suited for the harsh environment encountered in Deep Space missions. It is guaranteed operational from -55°C to $+125^{\circ}\text{C}$. Available screened in accordance with MIL-PRF-38534 Class K, the RHD5902 is ideal for demanding military and space applications.

Organization and Application

The RHD5902 amplifiers are capable of rail-to-rail input and outputs. Performance characteristics listed are for general purpose operational 5V CMOS amplifier applications. The amplifiers will drive substantial resistive or capacitive loads and are unity gain stable under normal conditions. Resistive loads in the low kohm range can be handled without gain derating and capacitive loads of several nF can be tolerated. CMOS device drive has a negative temperature coefficient and the devices are therefore inherently tolerant to momentary shorts, although on chip thermal shutdown is not provided. All inputs and outputs are diode protected.

The devices will not latch with SEU events to above $100 \text{ MeV-cm}^2/\text{mg}$. Total dose degradation is minimal to above 1 Mrad(Si) . Displacement damage environments to neutron fluence equivalents in the mid $10^{14} \text{ neutrons per cm}^2$ range are readily tolerated. There is no sensitivity to low-dose rate (ELDRS) effects. SEU effects are application Dependent.

The RHD5902 is configured with enable/disable control. Pairs of amplifiers are put in a power-down condition with their outputs in a high impedance state. Several useful operational amplifier configurations are supported where more than one amplifier can feed an output with others disabled.

SCD5902

Quad Operational Amplifier, High Speed with Enables

RHD5902

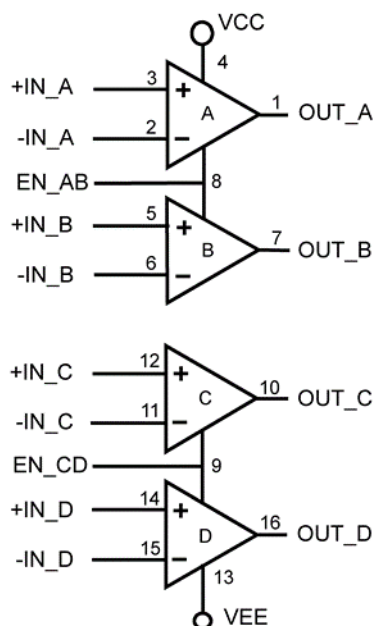
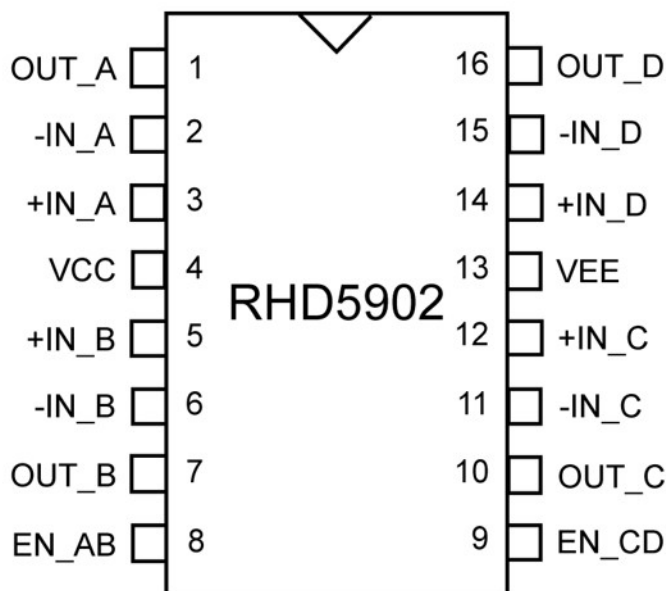


Figure 1: Block Diagram



16-Pin SOIC

Figure 2: Package Pin-Out

Notes:

- 1) Package and Lid are electrically isolated from signal pads.
- 2) It is recommended that the Lid be grounded to prevent any ESD or static buildup.
- 3) EN_AB enables amplifiers A & B. EN_CD enables amplifiers C & D.

SCD5902

Quad Operational Amplifier, High Speed with Enables

RHD5902

Table 1: Pin-Out Description

Pin	Signal Name	Definition
1	OUT_A	Output of Amplifier A.
2	-IN_A	Inverting input of Amplifier A.
3	+IN_A	Non-Inverting input of Amplifier A.
4	VCC	+ Voltage Supply.
5	+IN_B	Non-Inverting input of Amplifier B.
6	-IN_B	Inverting input of Amplifier B.
7	OUT_B	Output of Amplifier B.
8	EN_AB	A Logic Low will disable Amplifiers A & B so that the outputs are high impedance.
9	EN_CD	A Logic Low will disable Amplifiers C & D so that the outputs are high impedance.
10	OUT_C	Output of Amplifier C.
11	-IN_C	Inverting input of Amplifier C.
12	+IN_C	Non-Inverting input of Amplifier C.
13	VEE	- Voltage Supply.
14	+IN_D	Non-Inverting input of Amplifier D.
15	-IN_D	Inverting input of Amplifier D.
16	OUT_D	Output of Amplifier D.

Absolute Maximum Ratings

Parameter	Range	Units
Case Operating Temperature Range	-55 to +125	°C
Storage Temperature Range	-65 to +150	°C
Junction Temperature	+150	°C
Supply Voltage $V_{CC} - V_{EE}$	+7.0	V
Input Voltage	$V_{CC} + 0.4$ $V_{EE} - 0.4$	V
Lead Temperature (soldering, 10 seconds)	300	°C
Thermal Resistance, Junction to Case, θ_{jc}	7	°C/W
Power @ 25°C	200	mW

Notice: Stresses above those listed under "Absolute Maximum Ratings" may cause permanent damage to the device. These are stress rating only; functional operation beyond the "Operation Conditions" is not recommended and extended exposure beyond the "Operation Conditions" may affect device reliability.

SCD5902

Quad Operational Amplifier, High Speed with Enables

RHD5902

Recommended Operating Conditions

Symbol	Parameter	Typical	Units
+V _{CC}	Power Supply Voltage	3.3 to 5.0	V
V _{cm}	Input Common Mode Range	V _{CC} to V _{EE}	V

Electrical Performance Characteristics

(T_C = -55°C To +125°C, +V_{CC} = +5.0V -- Unless Otherwise Specified)

Parameter	Symbol	Conditions	MIN	MAX	Units
Input Offset Voltage <u>1/</u>	V _{OS}		-4	4	mV
Input Offset Current <u>1/</u>	I _{OS}		-100	100	pA
Input Bias Current <u>1/</u>	I _B	T _C = +25°C, -55°C	-100	100	pA
		T _C = +125°C	-1000	1000	
Common Mode Rejection Ratio	CMRR		60		dB
Power Supply Rejection Ratio	PSRR		70		dB
Output Voltage High	V _{OH}	R _{OUT} = 720 ohms to GND	4.9		V
Output Voltage Low	V _{OL}	R _{OUT} = 720 ohms to V _{CC}		0.1	V
Short Circuit Output Current <u>2/</u>	I _{O(SINK)}	V _{OUT} to V _{CC}	-130	-290	mA
	I _{O(SOURCE)}	V _{OUT} to V _{EE}	110	210	mA
Slew Rate <u>1/</u>	SR	R _L = 8K, Gain = 1	12		V/uS
Open Loop Gain <u>1/</u>	A _{OL}	No Load	90		dB
Unity Gain Bandwidth <u>1/</u>	UGBW	35 Typical @ R _L = 10K	23		MHz
Input Voltage - Enable <u>2/</u> (EN_AB, EN_CD)	V _{HI}	High (Enabled)	3.5		V
	V _{LO}	Low (Disabled)		1.5	V
Input Current - Enable <u>2/</u> (EN_AB, EN_CD)	I _{EN}			10	nA
Quiescent Supply Current <u>1/</u>	I _{CCQ}	All Amplifiers Enabled, No Load		5.5	mA
		All Amplifier Disabled <u>2/</u>		300	nA
Channel Separation <u>2/</u>		R _L = 2K, f = 1.0KHz	84		dB
Input-Referred Voltage Noise <u>2/</u>	e _n	46 Typical @ F = 5 kHz			nV/√Hz
Phase Margin <u>2/</u>	Φ _m		30		Deg

Notes:

- 1) Specification derated to reflect Total Dose exposure to 1 Mrad(Si) @ +25°C.
- 2) Not tested. Shall be guaranteed by design, characterization, or correlation to other test parameters.

SCD5902

Quad Operational Amplifier, High Speed with Enables

RHD5902

Switching Characteristics

($T_c = -55^\circ\text{C}$ To $+125^\circ\text{C}$, $V_{CC} = +5.0\text{V}$ -- Unless Otherwise Specified)

Parameter	Symbol	Conditions	MIN	MAX	Units
Output Delay (Enabled) $\underline{2/}$	t_{ONEN}			500	ns
Output Delay (Disabled) $\underline{2/}$	t_{OFFEN}			100	ns

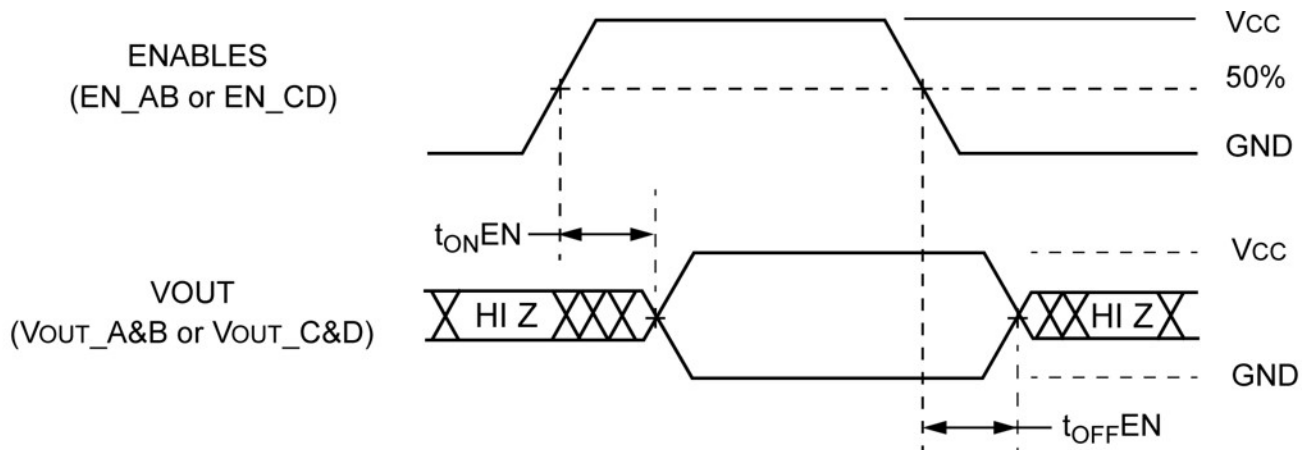


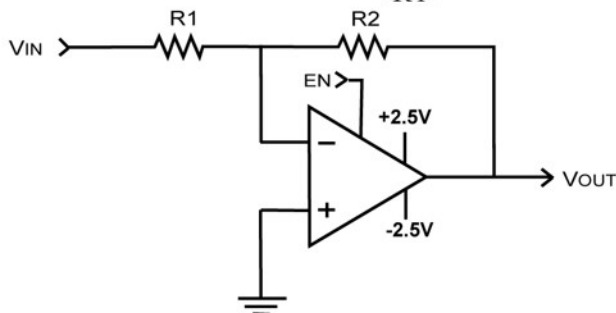
Figure 3: RHD5902 Switching Diagram

RHD5902 Quad Operational Amplifier Application Notes

Application Note 1: Dual Power Supply Amplifier

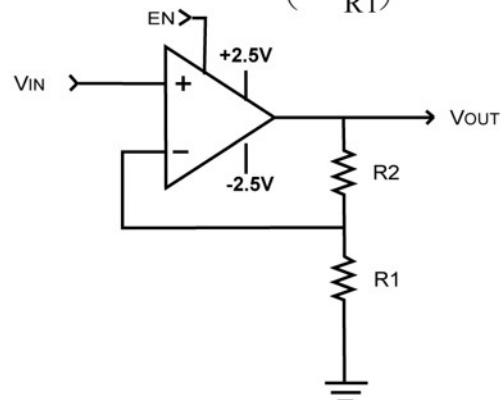
Inverting Amplifier

$$V_{OUT} = -V_{IN} \left(\frac{R_2}{R_1} \right)$$



Non Inverting Amplifier

$$V_{OUT} = V_{IN} \left(1 + \frac{R_2}{R_1} \right)$$



SCD5902

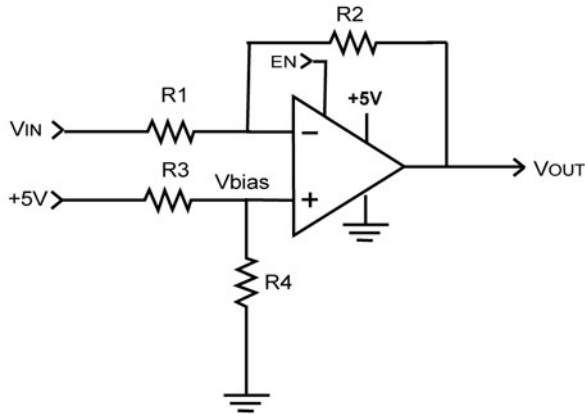
Quad Operational Amplifier, High Speed with Enables

RHD5902

Application Note 2: Single Power Supply Amplifier

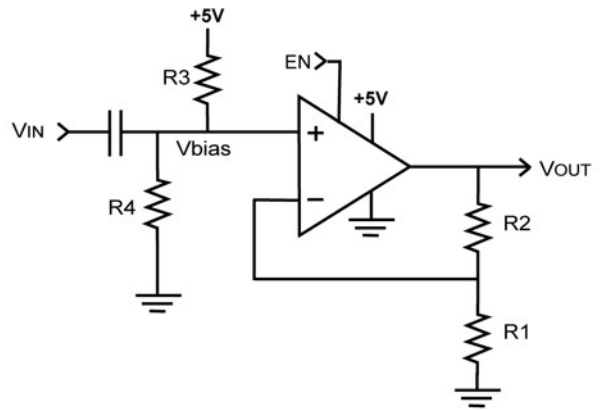
Inverting Amplifier

$$V_{OUT} = -V_{IN} \left(\frac{R_2}{R_1} \right)$$



Non Inverting Amplifier

$$V_{OUT} = V_{IN} \left(1 + \frac{R_2}{R_1} \right)$$



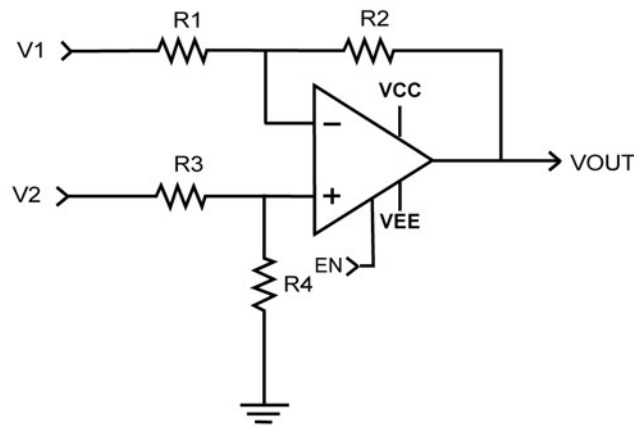
Note:

For V_{OUT} DC @ mid range of common mode voltage range, $V_{BIAS} = 2.5 / (1 + R_2/R_1)$, $V_{BIAS} = +5 * R_4 / (R_3 + R_4)$

Application Note 3: Differential Input Amplifier

Differential Input Amplifier

$$V_{OUT} = \left(V_2 \left(\frac{R_4}{R_3 + R_4} \right) \left(1 + \frac{R_2}{R_1} \right) \right) - \left(V_1 \frac{R_2}{R_1} \right)$$



SCD5902

Quad Operational Amplifier, High Speed with Enables

RHD5902

Application Note 4: Multiple Amplifiers

Multiple Amplifiers - Selectable Output

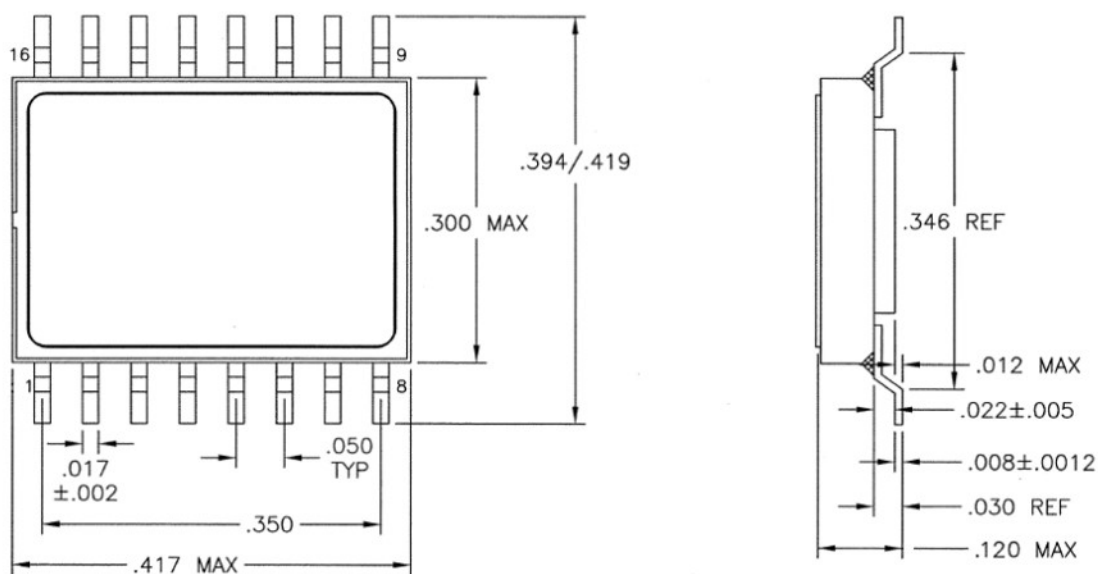
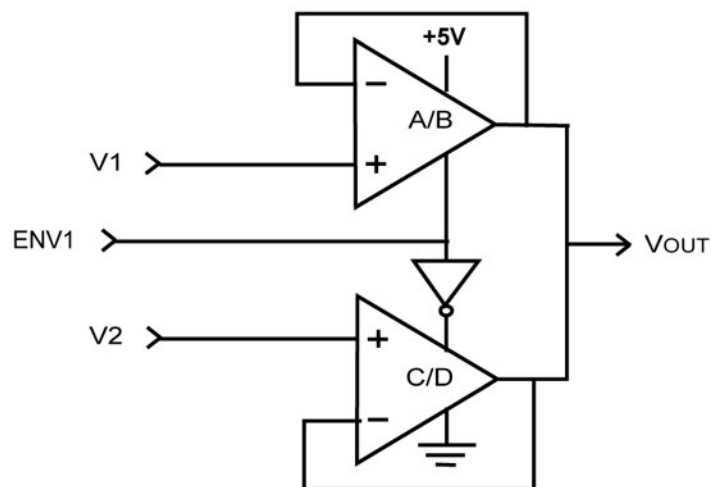


Figure 4: Package Outline

Note:

Package and lid are electrically isolated from signal pads.

SCD5902

Quad Operational Amplifier, High Speed with Enables

RHD5902

Ordering Information

Model	DLA SMD #	Screening	Package
RHD5902-7	-	Commercial Flow, +25°C testing only	16-pin SOIC Package
RHD5902-S	-	Military Temperature, -55°C to +125°C Screened in accordance with the individual Test Methods of MIL-STD-883 for Space Applications	
RHD5902- 201-1S	5962-1024103KXC	In accordance with DLA SMD	
RHD5902- 201-2S	5962-1024103KXA		
RHD5902- 901-1S	5962H1024103KXC	In accordance with DLA Certified RHA Program Plan to RHA Level "H", 1 Mrad(Si)	
RHD5902- 901-2S	5962H1024103KXA		

Revision History

Date	Revision	Change Description
03/28/2016	C	Import into CAES format
03/08/2021	D	Revised Per ECN 23542



SCD5902

Quad Operational Amplifier, High Speed with Enables

RHD5902

Datasheet Definitions

	DEFINITION
Advanced Datasheet	CAES reserves the right to make changes to any products and services described herein at any time without notice. The product is still in the development stage and the datasheet is subject to change . Specifications can be TBD and the part package and pinout are not final .
Preliminary Datasheet	CAES reserves the right to make changes to any products and services described herein at any time without notice. The product is in the characterization stage and prototypes are available.
Datasheet	Product is in production and any changes to the product and services described herein will follow a formal customer notification process for form, fit or function changes.

The following United States (U.S.) Department of Commerce statement shall be applicable if these commodities, technology, or software are exported from the U.S.: These commodities, technology, or software were exported from the United States in accordance with the Export Administration Regulations. Diversion contrary to U.S. law is prohibited.

Cobham Long Island Inc. d/b/a CAES reserves the right to make changes to any products and services described herein at any time without notice. Consult an authorized sales representative to verify that the information in this data sheet is current before using this product. The company does not assume any responsibility or liability arising out of the application or use of any product or service described herein, except as expressly agreed to in writing; nor does the purchase, lease, or use of a product or service convey a license under any patent rights, copyrights, trademark rights, or any other of the intellectual rights of the company or of third parties.