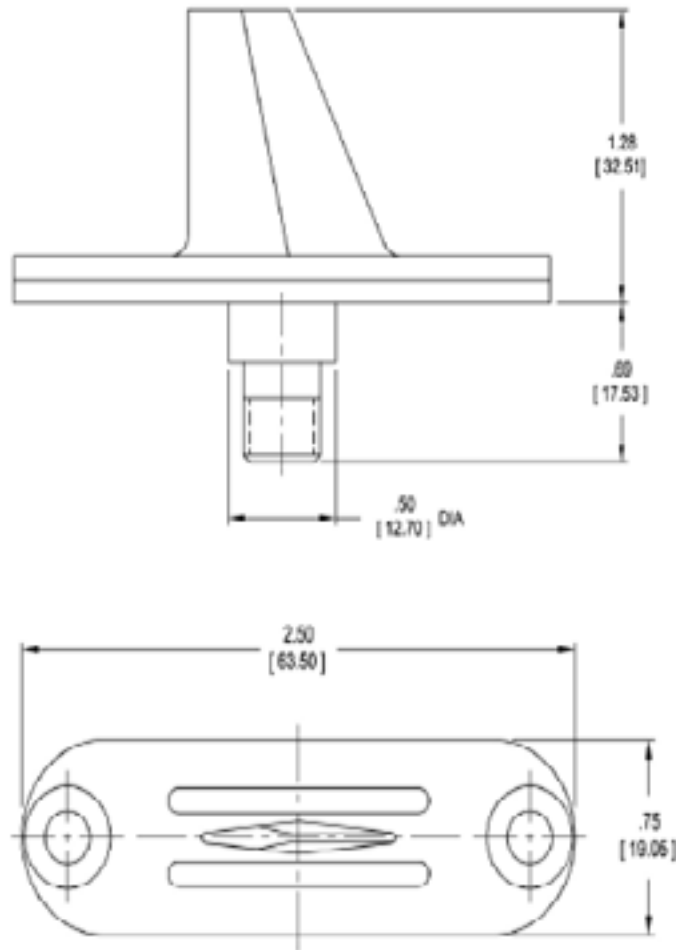


Model 11C22900 S-Band Blade Antenna

CAES announces a new blade antenna. Model 11C22900 is a rugged and reliable antenna designed for telemetry applications. This unit is sealed from water and it is capable of handling high levels of CW power. It is finished in flat black epoxy paint.

PHYSICAL CONFIGURATION



Model 11C22900 S-Band Blade Antenna

FEATURES :

- Telemetry Applications
- Sealed Construction
- High Power Handling

FREQUENCY RANGE:

- 2200 to 2300 MHz

VSWR:

- 2 :1 max.

POLARIZATION:

- Vertical

PATTERN

- Similar to a quarter wave stub

RF POWER:

- 250 Watts CW

INPUT:

- TNC Jack