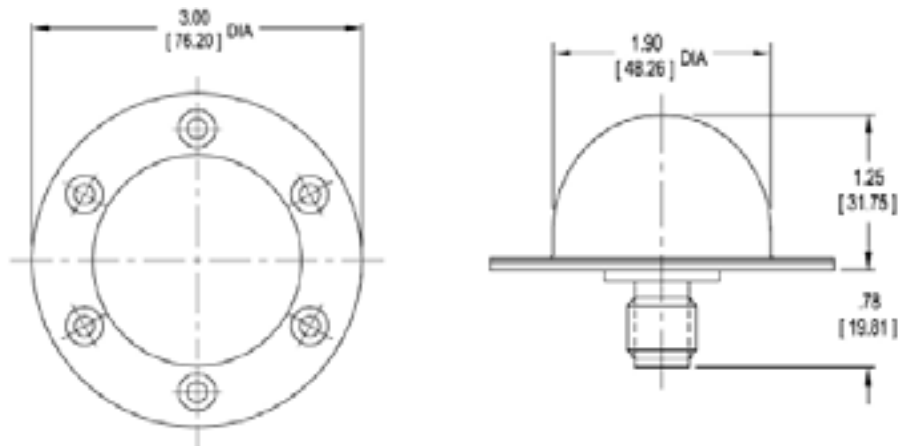


Model 13C02800 Low Profile Broadband Stub

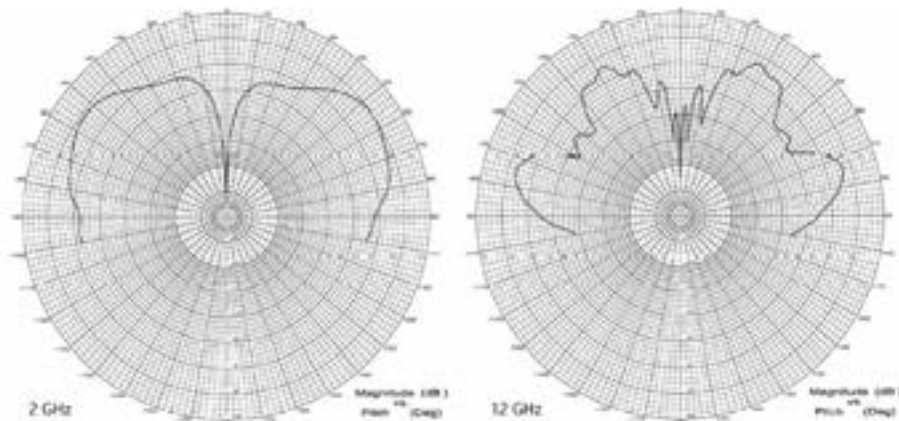
Model 13C02800 is a low profile quarter wave stub antenna featuring exceptionally broad bandwidth and high power handling capability. Its pattern is omnidirectional in azimuth with an elevation pattern similar to a quarter wavelength stub over a ground plane. The radiating element is encased in a composite radome. The radome is available with gray paint or black rain erosion coating.



PHYSICAL CONFIGURATION



SAMPLE RADIATION PATTERN



Model 13C02800 Low Profile Broadband Stub

FEATURES :

- Broad Bandwidth
- High Power Handling
- Composite Radome

FREQUENCY RANGE:

- 2 to 12 GHz

VSWR:

- 2.5 : 1 from 2 to 2.3 GHz
- 2 : 1 from 2.3 to 12 GHz

NOMINAL GAIN:

- Similar to matched quarter wave stub

POLARIZATION:

- Vertical

ALTITUDE:

- 70,000 ft.

RF POWER:

- 100 Watts avg.

WEIGHT:

- 3 Oz. max.

INPUT

- N Jack

TEMPERATURE RANGE:

- -65°F to ±250°F

ENVIRONMENTAL SPECIFICATION:

- MIL-HDBK-5400

